



شركة الوسام للتجارة ذ.م.م.
AL WISAM TRADING CO. L.L.C.



FOR CONSTRUCTION & INDUSTRIAL PLANT & MACHINERY



☎ : (+971 6) 539 03 83

📄 : 81933, Sharjah-U.A.E.

🌐 : www.alwisamllc.com

☎ : (+971 6) 539 03 84

✉ : awtc@alwisamllc.com

Quality
Products
Back-up



شركة الوسام للتجارة ذ.م.م. AL WISAM TRADING CO. L.L.C.

FOR CONSTRUCTION & INDUSTRIAL PLANT & MACHINERY

The One Stop Platform for Dependable, Ethical and Safe Solutions! Your Search Starts and Ends with Us

Al Wisam Trading Co. L.L.C., located in Industrial Area 6, Sharjah - United Arab Emirates, is a prominent trading company offering customized solutions for your Plant and Machinery requirements, through supply of quality products and prompt support.

Al Wisam Trading Co. L.L.C. Owned and managed by experienced professionals in the field (The brothers, Hani and Sami Sukaik) with a visionary zeal to achieve highest levels of quality in products as well as after-sales support. Al Wisam provides the Construction, Industrial Plant and Marine Industry a wide range of Brand New and some Used Equipment for Sale/Rent along with their related spare parts. Our range includes (but not limited to):

- Passenger/Materials Hoists
- Mast Climbers
- Lighting Towers
- Forklifts & Pallet trucks
- Masonry, Wall & Floor Saws
- Demolition Tools & Robots
- Loading Platforms
- Drilling & Coring Machines
- Skip Buckets & Man Baskets
- Tower Cranes
- Concrete Mixers
- Power Cutters
- Poker Vibrators
- Air Compressors
- Interlock Cutter
- Industrial Elevators
- Power Generators
- Diamond Tools
- Floor Grinders, Finishers
- Concrete Placing Booms
- Bar Bending & Bar Cutting Machines
- Aluminum Suspended Platforms (Cradles)
- Industrial High-Pressure Washers
- Roller and Plate Compactors and Rammers
- Cutting Blades for Kerbstones, Marbles, Blocks & Tiles
- Aviation Obstruction Steady / Flashing Lights

Al Wisam Trading Co. L.L.C., the authorized distributors for World's Top manufacturers such as **GEDA** (Construction Hoists, Industrial Elevators, Work Platforms and Lifting Equipment), **SIRL** (Concrete Equipment, Bar Bending & Cutting Machines), **BATMATIC** (Light Compaction Equipment), **BATTIPAV** (Masonry Saw for Marble, Tiles, Blocks, Kerb stone), **HUSQVARNA** (Construction Products), **PHOENIX** (Bitumen distributors & aggregate spreaders), **STEPHILL** (Petrol Generators) offer unmatched value for your money in terms of Quality, Utility and Dependability.

We also offer products & services for other reputed European brands such as **ALIMAK** (Construction and Industrial Hoists and Work Platforms), **REDDOT** (Aviation Obstruction Steady / Flashing Lights), and many more.

Al Wisam Trading Co. L.L.C. back their products by providing you 'Peace of Mind' after-sales support through easy availability of genuine spare parts and a professionally trained technical team, capable to handle all your needs for training, trouble shooting, routine service and breakdown repairs in a prompt and professional manner. Tailor made service contracts are also available to the discerning customer.

With Al Wisam Trading Co. L.L.C., your strong partner in growth, your concerns regarding equipment and support are in safe hands while you are spending your valuable time for your core business development.



AL WISAM - *For Quality and Professionalism*

Why AL WISAM?

1. ISO & ICV certified company



2. Expertise in SALE / RENTAL

- Quality products
- Competitive prices and terms
- Easy availability
- Ethical, customer oriented & safety centered business practices
- Professional processing of your requirements

3. Expertise in AFTER SALE SUPPORT

- Genuine Spare Parts-easy availability
- Warranty
- Routine Service
- Breakdown Service
- Repair facilities
- Prompt Response
- Service contracts
- Training



GEDA®

ORIGINAL





batmatic



SIRL





 **Husqvarna**[®]



BATTIPAV[™]





STEPHILL[®] GENERATORS



PHOENIX



DEPCO POWER GENERATION





AWTC











AWTC Industrial Automation, Control, and Power Systems Division

*Customized VFD
Motor Control Panels*



*Motor Control Centers (MCCs) and
Low Harmonic Motor Control Solutions*



MV Softstarters



*Crane & Hoist VFD
Modernization Panels*



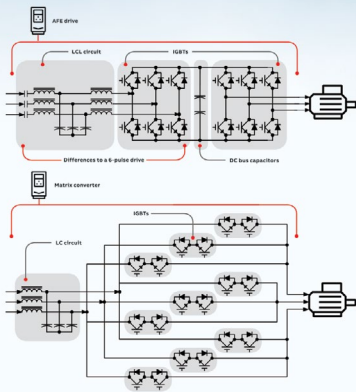
Lift VFD Panels



Switchgear Assembly



Low Harmonic VFDs



MV VFDs



Active Dynamic Filters





81933, Sharjah - U.A.E. |
 (+971 6) 539 03 83 |
 (+971 6) 539 03 84 |
 awtc@alwisamllc.com |
 www.alwisamllc.com

GPS Coordinates : N 25° 19'03.00" E 55° 25'37.00" (Shop No. 15 & 16)



Construction Hoists, Industrial Elevators,
Work Platforms and Lifting Equipment



Light Compaction Equipment



Construction Products

Masonry Saw for Marble, Tiles,
Blocks, Kerbstone Etc.



Concrete Equipment,
Bar Bending & Cutting Machines



Generators & Tower Lights



Suspended Platform,
Loading Platform,
Pallet Trucks & Stackers



Bitumen Spray Tanks
& Chip Spreaders



Portable Generators

FOR CONSTRUCTION & INDUSTRIAL PLANT & MACHINERY