



Manual Hydraulic Hand Pallet Trucks

Exceptional Value

AWTC heavy duty hand pallet trucks thrive in various applications, being used by operators of all experience levels. Easy-to-use, these hand pallet trucks are a dependable source for moving materials in your applications.

Features

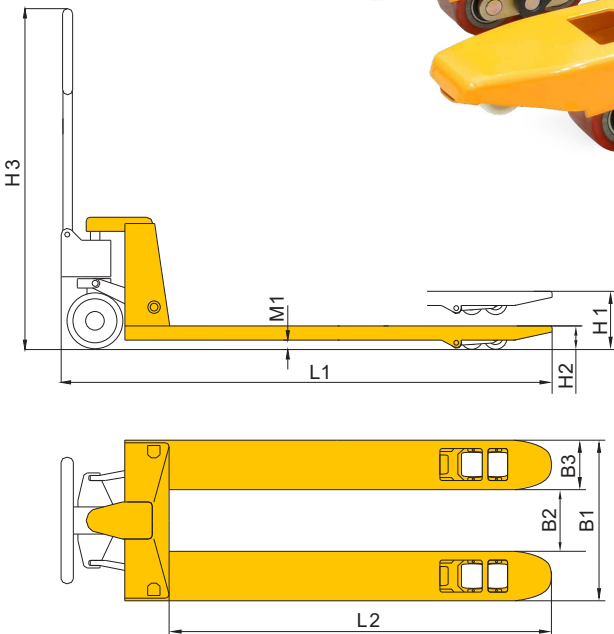
- ▶ Heavy duty pallet truck
- ▶ Polyurethane covered steel steer wheels
- ▶ Nylon Load Wheels
- ▶ Easy availability of spare parts
- ▶ Solid steel push rods
- ▶ Reinforced steel frame with cross-welded steel plates to prevent fork from bending
- ▶ Extra double sealed bearings for smooth, quiet rolling & added stability

Warranty:

6 months service warranty
Excluding spare parts



Achieve tasks
in less time



DESCRIPTION		2500 Kgs	3000 Kgs	5000 Kgs
Max. Lifting Height	H ₁ (mm)	190	200	195
Lowered Fork Height	H ₂ (mm)	75	85	80
Height of Tiller in Drive Position	H ₃ (mm)	1220	1215	1230
Overall Length	L ₁ (mm)	1535	1535	1547
Fork Length	L ₂ (mm)	1150	1150	1157
Width Overall Forks	B ₁ (mm)	550	550	543
Width Between Forks	B ₂ (mm)	230	230	220
Width of Fork	B ₃ (mm)	160	160	163
Ground Clearance	M ₁ (mm)	25	25	31
Steering Wheel	∅ mm x mm	180 x 50	180 x 50	180 x 50
Loading Rollers	∅ mm x mm	80 x 70	80 x 70	80 x 70

